

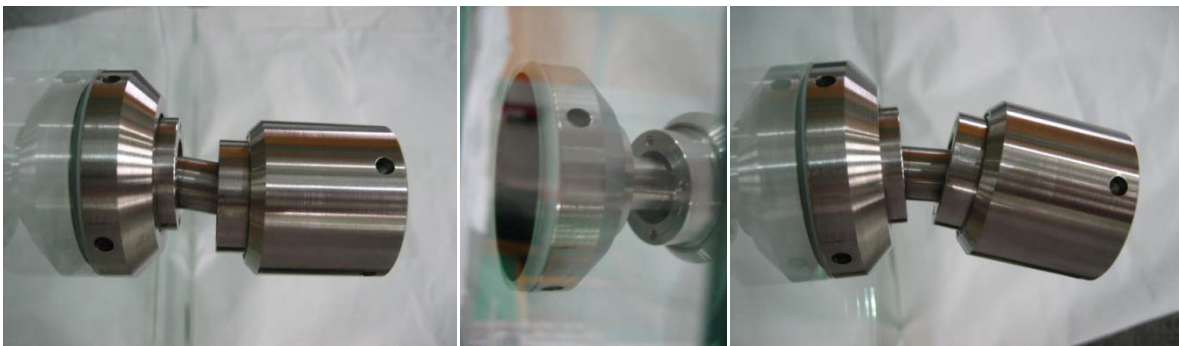
OKULTO

An Innovative Glass Fixing System

Thinking of Laminated Glass and IG Units, based on European Design,

PROTEKT presents a new line for Point-fixed Glazing Systems

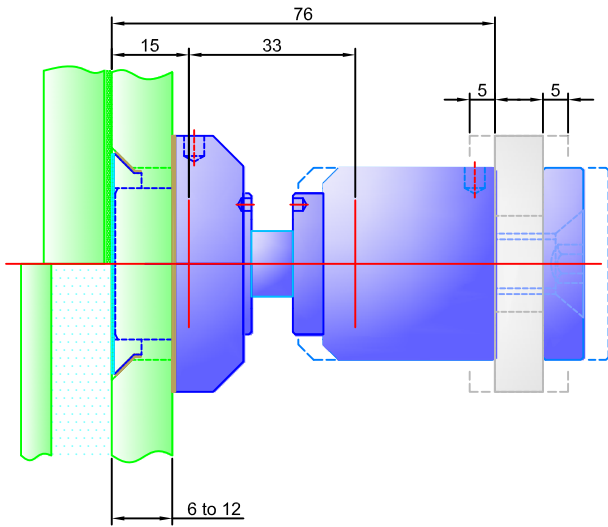
INVISIBLE



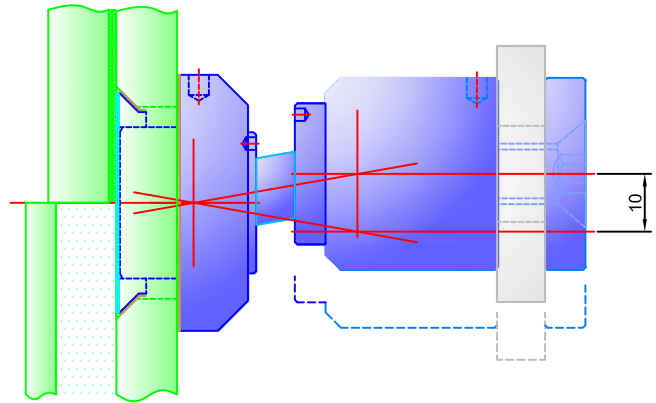
- **Stylish looks** - the outside remains free of perforations and visible elements
- For **laminated glass and IG glazing** - adjustable to any thickness between ¼" and ½" glass
- **Individual Designs** for special applications
- **Seals 100%** - Water, humidity, dust, etc., nothing penetrates. No leakage of IG gas filling
- **Wind resistance** - Identical to point-fixed systems with completely perforated glass
- The new connecting bolts **OKULTO - DUAL** relieve the glass of any unwanted loads. Thermal expansion, incorrect positioning of supports, movements due to wind loads, etc., nothing causes additional stresses. Therefore, **the wind resistance always remains at its maximum.**
- For glass facades, vertical or inclined, for overhead glazing, handrails, glass floors and glass stairs. Straight and 90° connections.
- In **PROTEKT** we use state of the art **Engineering Methods** and combine it with the latest **European Architectural Designs.**

OKULTO - DUAL

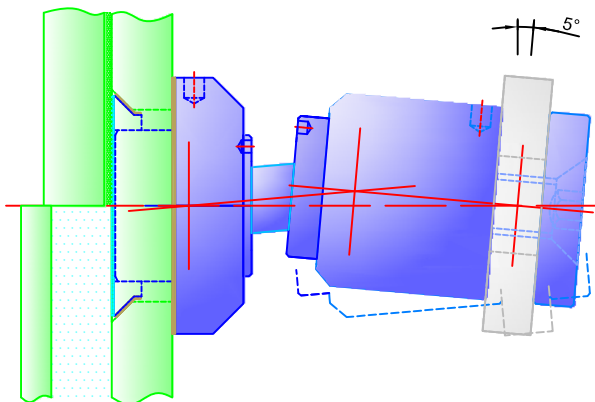
for laminated glass and IG glazing



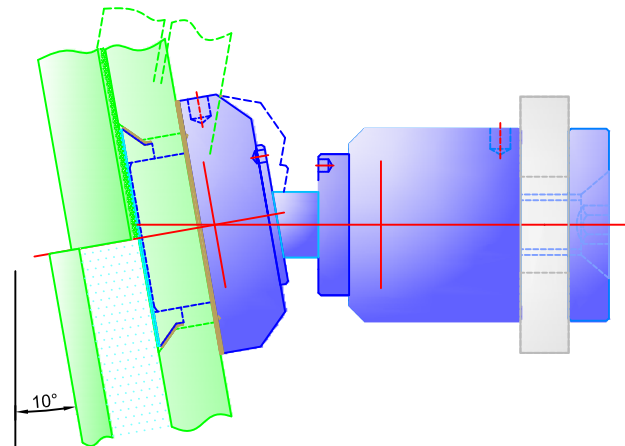
± 5 mm horizontal alignment Z-Z



± 5 mm alignment X-X and Y-Y
and/or free movement of glass
(optionally restrained to one axis or 100% fixed)



± 5° Inclination of the support



±10° Inclination of glass

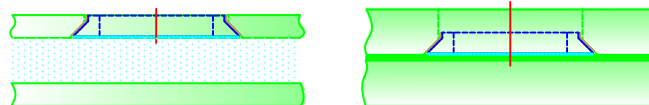
permissible loads for vertical installations

glass weight : up to 900 lbs (450 lbs per bolt)

wind load : up to 3,600 lbs (900 lbs per bolt)

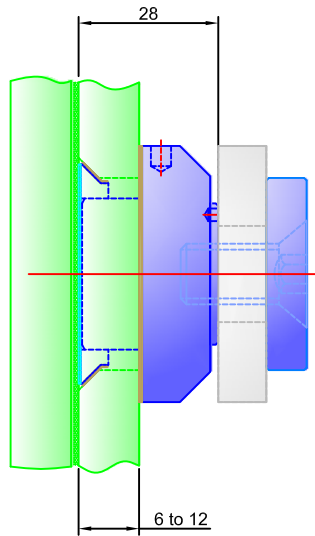
perforation in glass : counter sunk 1½"

Storage and shipping : without additional space requirements
connecting bolts are site installed

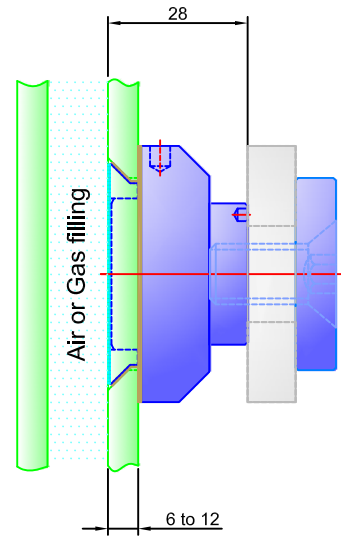


OKULTO - Rigid

for laminated glass and IG glazing



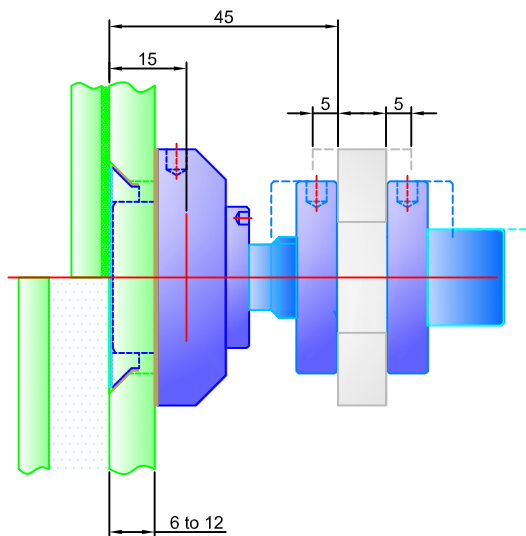
laminated glass



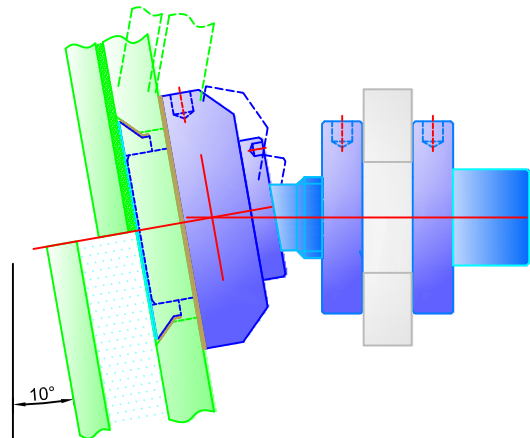
IG glazing

OKULTO - Articulated

for laminated glass and IG glazing



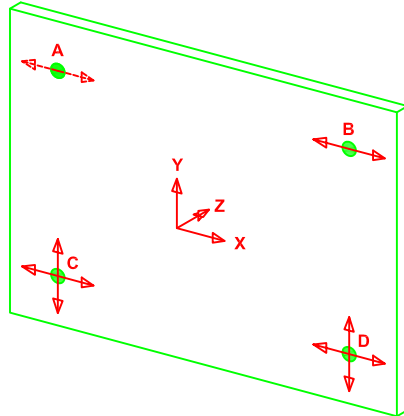
± 5 mm horizontal alignment Z-Z



$\pm 10^\circ$ Inclination of glass

OKULTO - correct Installation

to the supporting structure, e.g. Spiders



OKULTO - Rigid

Point A: 100% fixed (or sliding in X-X and fixed in Y-Y)

Point B: sliding in X-X and fixed in Y-Y

Point C: sliding in both, X-X and Y-Y

Point D: sliding in both, X-X and Y-Y

Note: only points A and B carry the glass weight

OKULTO - Articulated

identical to OKULTO - Rigid

To assure unrestrained movements, special bushings have to be used in the supporting structure. Fixing all 4 connecting bolts may result in glass failure due to thermal expansion and movements under windloads.

If your supporting elements come without these bushings, we gladly design and manufacture them.

**With the double articulated connecting bolts
OKULTO - DUAL there is no need of special
bushings and its time consuming installation.
All 4 points may be firmly mounted to the
supporting structure.**